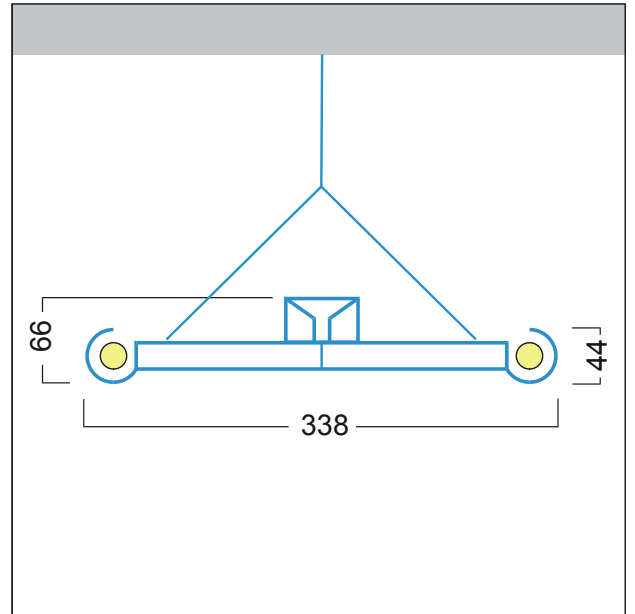


## Pośrednia/bezpośr. oprawa typu Waveguide

Indirect/direct waveguide luminaire 2 x 54W, for T16, with high frequency ballast; direction of direct component via light laterally coupled into waveguides with patented SLC technology, with defined emission via the patented microstructure array in a glare-free batwing pattern and special glare control for flat horizontal displays; extremely flat design of light element: 40mm; design version Soft with rounded lateral reflectors, can be disassembled without the use of any tools; luminaire complete with cord suspension. Dimensions: 1252 x 338 x 66 mm; weight: 9.5 kg. - This is an indirect-direct luminaire, which creates an area of luminance on the ceiling in order to avoid a rapid cut-off of light, in compliance with section B2.1 of the 2001 Addendum to CIBSE LG3.



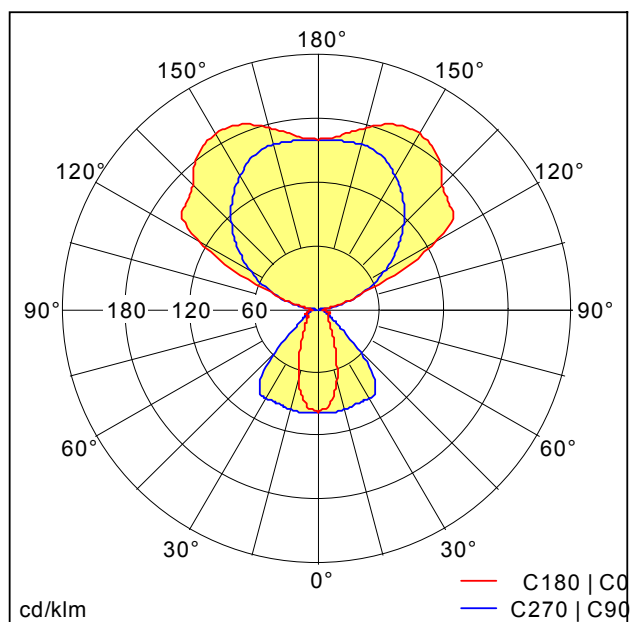
ZS\_AER\_F\_USNdouble.jpg



ZS\_AER\_M\_USNdouble.wmf

## Rozsył światła

## STD - Standard



D13078U8.idt

- Lamy: 2 x T16 / 54W
- Całkowity strumień światła: 8900 lm
- stopień odwzorowania barw: 1B
- urządzenie robocze: EVG Tridonic PC PRO Lp
- moc przyłączeniowa: 118 W  $\Lambda = 0,99$
- CELMA: A2