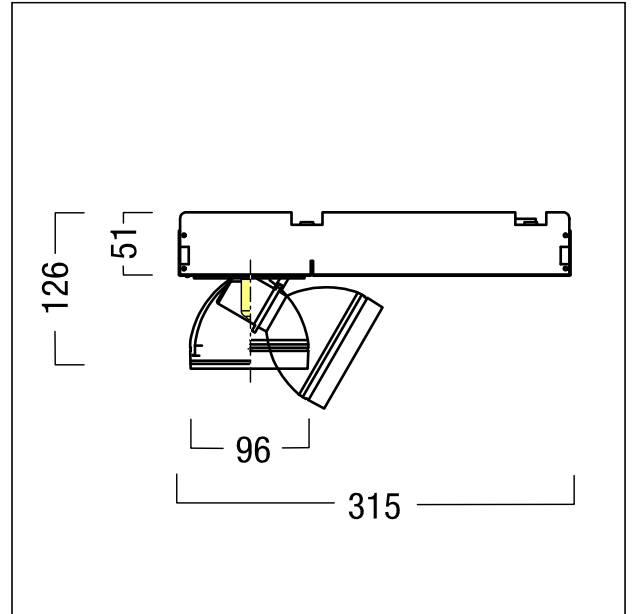


Wkład świetlny opraw typu flood

Lighting insert flood/spotlight, single module; lamp(s): 1 x QT-LP 12/ 50 W, 75 W, 90 W; lampholder: GY 6.35; electronic safety transformer 35 W - 105 W , mains voltage : 230 V, 50/60 Hz ; lamp voltage: 12 V; reflector head: diecast aluminium; rotates through approx. 220°, pivots through approx. 70°; specular reflector: highest-grade aluminium, anodised, silver colour; front ring accommodates colour/blocking filter; housing: sheet steel, colour: black; special momentary-action switch mechanism at front end to be fitted without any tools; retention pins on longitudinal side for variable fitting in channel section; variable positioning of lighting inserts at different levels of use; connecting cable 3 x 1.5 mm², including 5-pole plug-in contact with phase selection (3 circuits); no-tool connection to plug-in sockets of through-wiring; dimensions: 315x95x126 mm ; weight: 1.5 kg



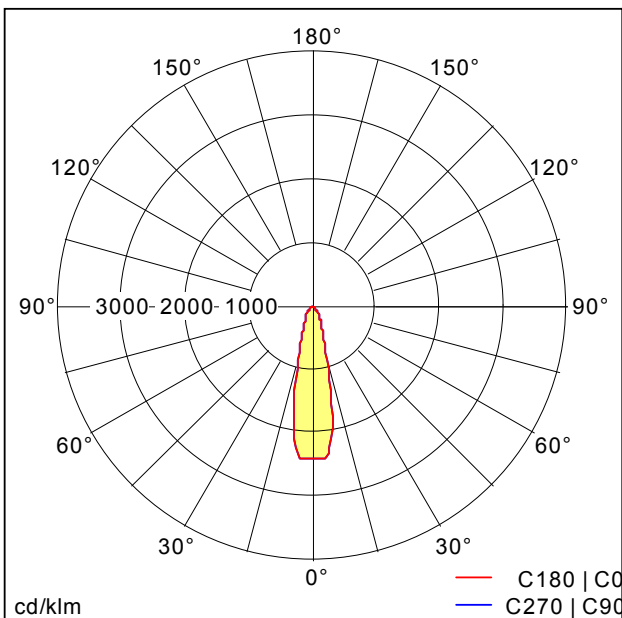
ZS_LIG_F_Strahler_b.jpg



ZS_LIG_M_Strahler_QT12.wmf

Rozsył światła

STD - Standard



ST5400.ltd

- Lampy: 1 x QT 12 / 90W
- Całkowity strumień światła: 1800 lm
- stopień odwzorowania barw: 1A
- moc przyłączeniowa: 90 W Lambda = 1