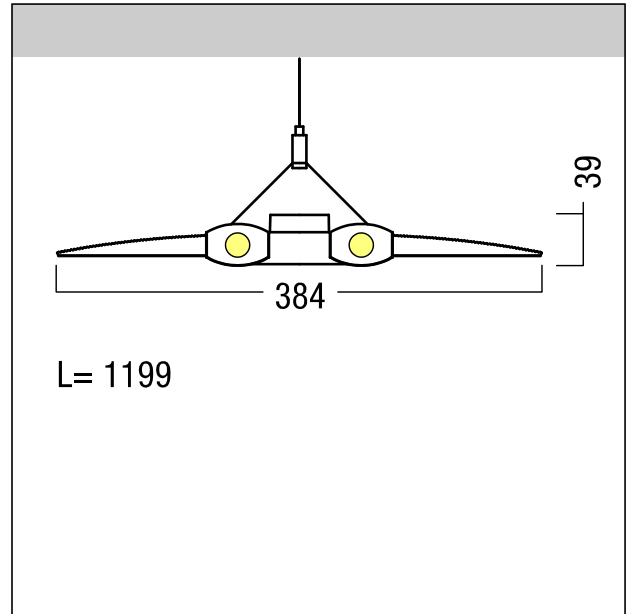


Pośrednia/bezpośr. oprawa typu Waveguide

OREA indirect/direct waveguide luminaire 2x54W, for T16, with high frequency ballast. Centrally installed lamps with SLC waveguides arranged outwards. Direction of the direct component via light coupled into wedge-shaped SLC waveguides with defined and directional emission in a glare-free batwing pattern especially for flat horizontal displays. Extremely flat design of light element of 42 mm. Luminaire without suspension system. Dimensions: 1199 x 388 x 42 mm; weight: 7.89 kg. - This is an indirect-direct luminaire, which creates an area of luminance on the ceiling in order to avoid a rapid cut-off of light, in compliance with section B2.1 of the 2001 Addendum to CIBSE LG3.



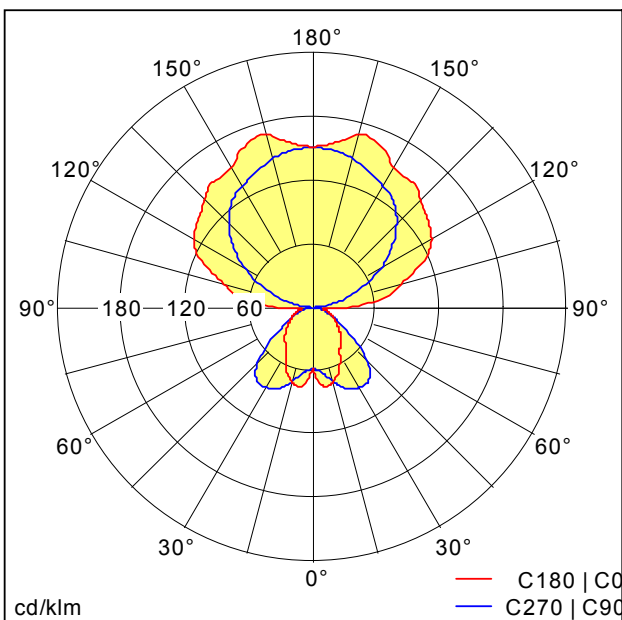
ZS\_ORE\_F\_Orea.jpg



ZS\_ORE\_M\_Orea54W.wmf

Rozsył światła

STD - Standard



D13079U8.idt

- Lampy: 2 x T16 / 54W
- Całkowity strumień światła: 8900 lm
- stopień odwzorowania barw: 1B
- urządzenie robocze: EVG Tridonic PC PRO Lp
- moc przyłączeniowa: 118 W  $\lambda = 0,99$
- CELMA: A2