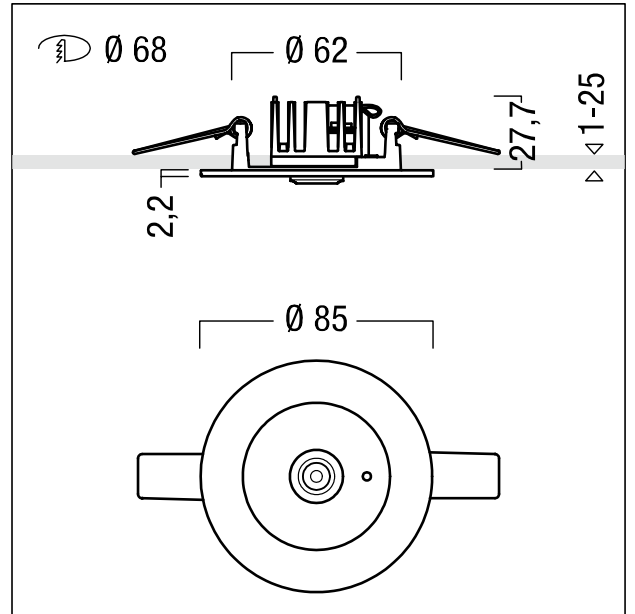


## Safety luminaire

LED Safety luminaire for illuminating fire-fighting and first-aid equipment and danger spots with minimum output 5 lx; ceiling recessed; Luminaire with local battery supply for 3h emergency lighting for maintained or non-maintained mode, automatic or central testing of emergency lighting function; room height 2.2 to 5 m; high power LED, cool white; large die-cast aluminium heat sink ensures optimum thermal management; gear box for installation in ceiling recess made of PC; lens made of polycarbonate (PC); luminaire housing made of die-cast aluminium in powder coated white, RAL 9016 finish; housing can be installed quickly on gear tray without tools; tool-free maintenance; through-wiring plug-in terminals for wire cross-sections up to 2.5 mm<sup>2</sup>; ball-proof design; luminaire total power: 4.5 W; power supply: 230V AC; rotary switch for setting address mechanically; Dimensions: Ø85 x 28 mm; IP20; weight: 0.42 kg; Luminaire wired with halogen-free leads; suitable for recessed installation in concrete casting surround (please order separately)



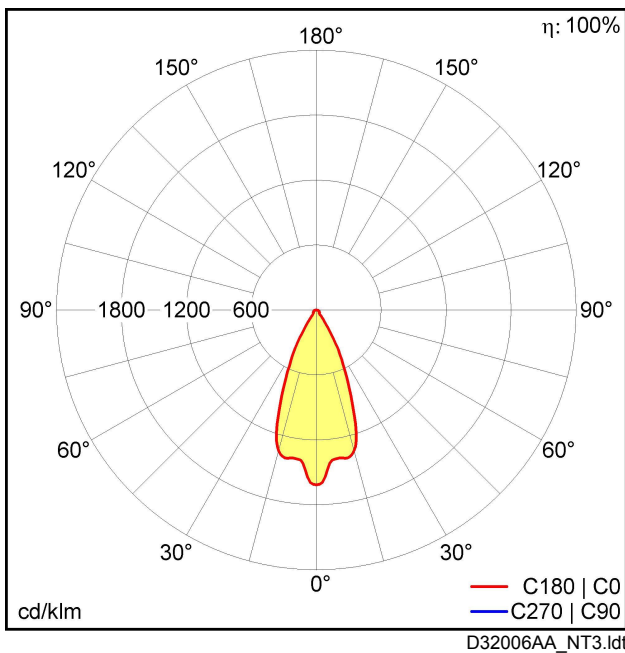
ZS\_ONL\_F\_RESC\_spot\_ED\_NT\_WH.jpg



ZS\_ONL\_M\_RESC\_spot\_ED.wmf

## Light Distribution

STD - standard



- Lamps: 1 x LED-Z649 / 4.5W
- Total luminous flux of luminaire: 148 lm
- Luminaire efficacy: 33 lm/W
- Rated life: 50000h L70 at 25°C
- Chromaticity tolerance (initial MacAdam): 4
- Ballast: 1x LED\_Con EM POWER1 CT LED NT3  
1/480mA 140x30x21 (59004065)
- Connected Load: 4.5 W Lambda = 0.47
- Service life rating: 3 h

Luminous flux and connected electrical load are subject to an initial tolerance of up to +/- 10%. Color temperature is subject to a tolerance of up to +/-150 Kelvin from the nominal value.