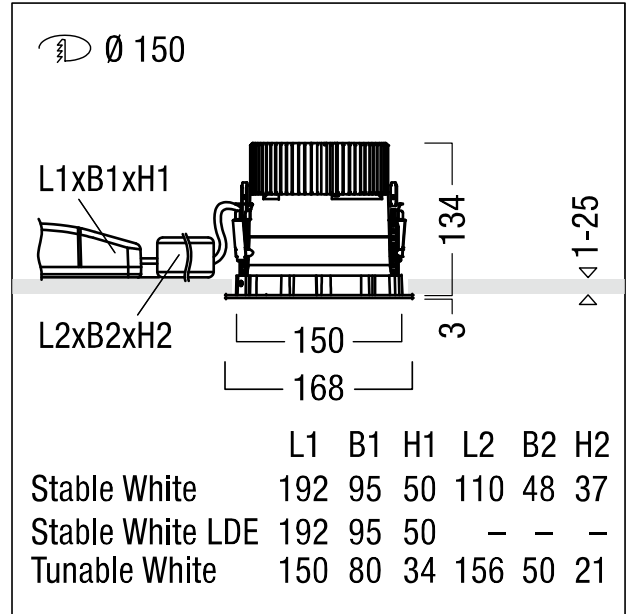


Ceiling recessed LED luminaire

Ceiling recessed LED luminaire (pre-assembled luminaire); "Stable White" LED luminaire, stabilized colour temperature; symmetric wide-beam light distribution with maximum luminaire efficiency and optimum photometric properties; EN12464 compliant with UGR<19 for office applications; lamp(s): 23 W LED930, colour temperature: warm white (3000K); Total luminous flux of luminaire: 1814 lm, Luminaire efficacy: 79 lm/W; colour rendering: RA>90; 50,000h service life at 70% luminous flux; includes controllable ballast, dimmable Dali only (separate unit); high-quality reflector unit fixed to modular LED lighting chamber by twist-and-lock mechanism; high-efficiency LED lighting chamber is integrated in optimised, passive thermal management system and made of extruded aluminium section; lighting chamber and reflector unit appear as one harmonised unit; smooth, aluminized mirrorbrite and iridescent-free finish; reflector/trim made of high quality, UV-resistant Polycarbonate (PC); white trim; mounting ring made of die-cast aluminium; luminaire unit can be fitted quickly without tools thanks to simplified twist-and-lock mechanism; minimum luminaire recess depth: 140mm; luminaire wired with halogen-free leads; electrical connection: 5-pole connector terminal; loop-in/loop-out wiring possible; suitable for use with 220V DC central battery; installation: tool-free quick installation using antislip spring clips in ceilings of thickness 1-25mm; ceiling cutout: 150mm, recess depth: 140mm; weight: 1.25 kg



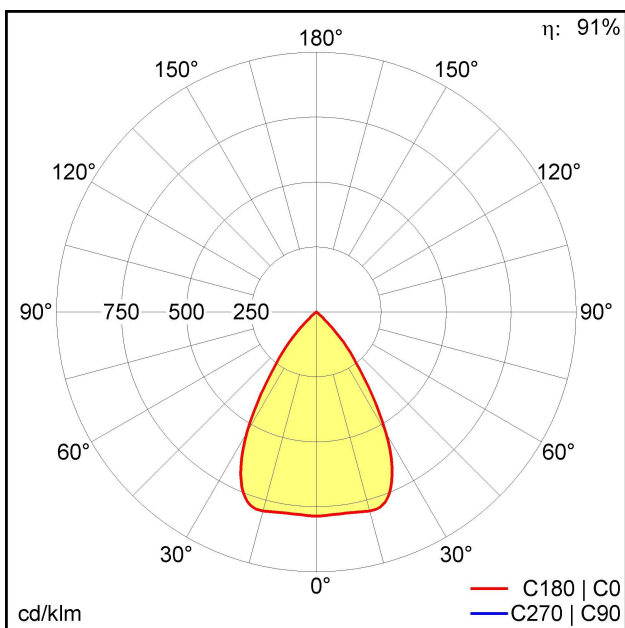
ZS_PAN_F_Infinity_150_HG_Rahmen_ww.jpg



ZS_PAN_M_INF_H150_WH_neu.wmf

Light Distribution

STD - standard



ST6309.Idt

- Lamps: 1 x LED_2000_3K / 23W
- Total luminous flux of luminaire: 1814 lm
- Luminaire efficacy: 79 lm/W
- Rated life: 50000h L70 at 25°C
- Colour Rendering Index min.: 90
- Colour temperature: 3000 Kelvin
- Chromaticity tolerance (initial MacAdam): 3
- Ballast: 1x LED_Con
- Connected Load: 23 W Lambda = 0.97
- Standby Power: 0.4 W
- Dimming: LDO dimmable to 5% over DALI
- Maintenance category: C - Closed Top Reflector

Luminous flux and connected electrical load are subject to an initial tolerance of up to +/- 10%. Color temperature is subject to a tolerance of up to +/-150 Kelvin from the nominal value.

